



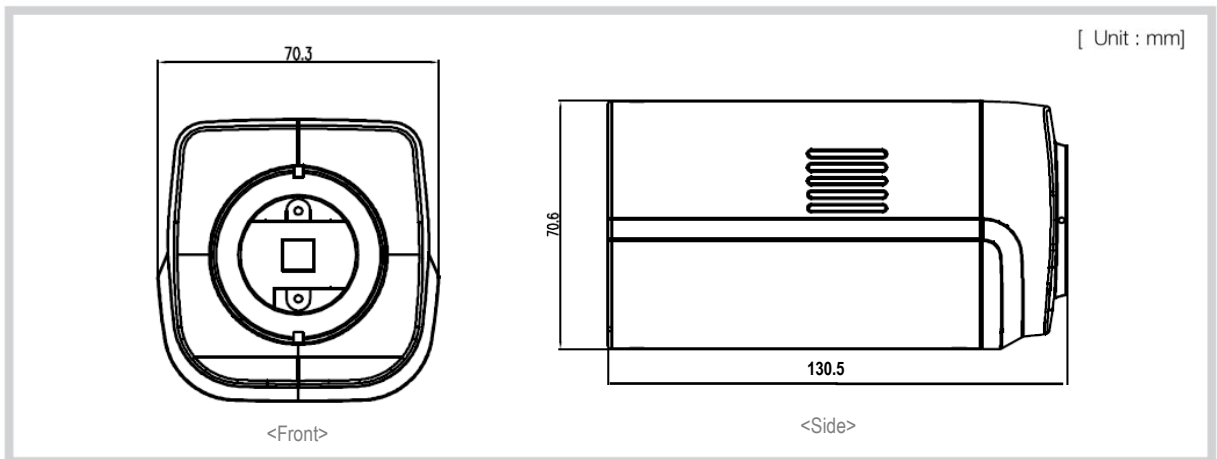
## 3.0M IP Box Camera **TCAM-6300**

3.0 Megapixel 1/2.5" CMOS Image Sensor  
 20 fps at 2048 x 1536  
 Dual Streaming (H.264/H.264, H.264/MJPEG)  
 True Day & Night (ICR)  
 SD Card Recording  
 Two way Audio Communication (G.711/AAC)  
 PoE (Power Over Ethernet) - Option

### Features

- > RS-485 Communication
- > Motion Detection
- > Two Way Audio Communication (G.711/AAC)
- > Adjustable Video Bit Rate : 32kbps ~ 8Mbps
- > Adjustable Video Data Bandwidth : 2,400bps ~ 115,200bps
- > Auto Iris (Auto, Open)
- > 1 CH. Sensor Input & Alarm Output
- > 1 CH. Audio In/Out (Mono, Line-In/Out)
- > Various Protocols : TCP/IP, Multicast, UDP, HTTP, SMTP, FTP, DHCP, DNS, Dynamic DNS, RTP, RTSP, SNMP
- > Full Technical Support with SDK & API

### Dimension



*Specification and design are subject to change without prior notice*

## Specification

Model		TCAM-630	
Network	Network Interface	Ethernet 10/100Base-T (RJ-45)	
	Network Protocol	TCP/IP, UDP, Multicast, DHCP, SMTP, HTTP, SNMP, RTP, RTSP	
Camera	Image Sensor	1/2.5" CMOS Image sensor	
	Lens	C/CS Mount selectable (Lens is not included)	
	Max. aperture Ratio	1:1.8	
	Flip	Vertical Flip, Horizontal Flip	
	Auto Exposure	Day, Night, Shutter Speed, Brightness	
	Auto White Balance	Indoor, Outdoor	
	Auto Iris	Auto, Open	
	White Balance Index	Auto, Indoor, Outdoor	
	Motion Detection	On/Off	
Video	Standards	Primary : H.264 / Secondary : MJPEG	
	Resolution	2048 x1536 ~ 176x120	
	Max Frame Rate	20fps @ 2048 x 1536, 30fps @ 1920 x 1080 ~ 176 x 120	
	Bitrate	32Kbps ~ 8Mbps	
Audio	Algorithm	G.711, AAC	
	Input	1 x Line-In (Mini-stereo, Single Mono)	
	Output	1 x Line-Out (Mini-stereo, Single Mono)	
	Sample Rate	G.711: 8KHz / AAC: 32KHz	
	Bitrate	G.711: 64Kbps AAC: 64Kbps, 128Kbps	
Serial Port	Port	1 x RS-485	
	Data Rate	2,400bps ~ 115,200bps	
Sensor/Alarm/etc	Sensor Input	1 x NO Contact	
	Alarm Output	1 x NO Contact	
	Reset Button	1 x Factory Reset Button	
User Interface	System Status	LED	
Software	VMS	Live Monitoring, Recording, Search & Playback, Backup	
Physical	Dimension	103.5(W) x 70.3(L) x 70.6(H) [mm]	
	Weight	437.0g (without Lens)	
	Power Source	DC 12V/0.5A	Option : PoE (802.3af)
	Power Consumption	Max 6W	

Specification and design are subject to change without prior notice